

Sealed Against Dust & Water Intrusion to ensure reliable circuit protection for the life of the electrical system installation

High Voltage (72 Vdc) Rating easily supports 12 and 24 Vdc applications while offering advanced protection for 36 and 48 Vdc applications

High Electrical / Manual Switching Endurance delivers 6,000 cycles at full current

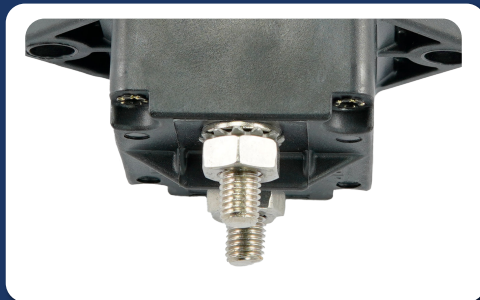
High Interrupt Current safely protects circuits connected to large paralleled battery banks with significant available power

Ignition Protected safe for installation in closed compartments with potential explosive gases

Harsh Environment design with stainless steel hardware, serrated flange nuts, and silicone terminal covers



4703 Series Surface Mount Circuit Breakers



4706 Series Panel Mount Circuit Breakers



Protects Electrical Circuits from short circuit events and over-current loads, preventing wire insulation overheating and subsequent destruction.



Automatic Circuit Protection & Manual On/Off Switching combines dual functionality in one reliable and compact solution.



Visual Indication of Circuit Opened with bright yellow paddle, also used for re-setting to On.

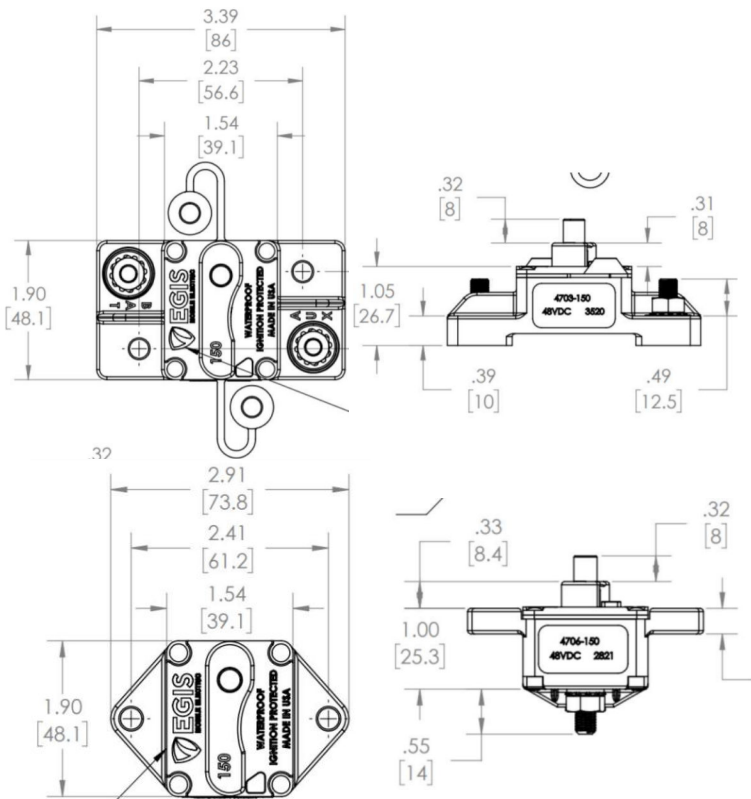


Bullet-proof Construction: Sealed device, high temp materials for engine compartment applications, and stainless self-locking hardware.



4 Year Industry Leading Warranty

Product Dimensions



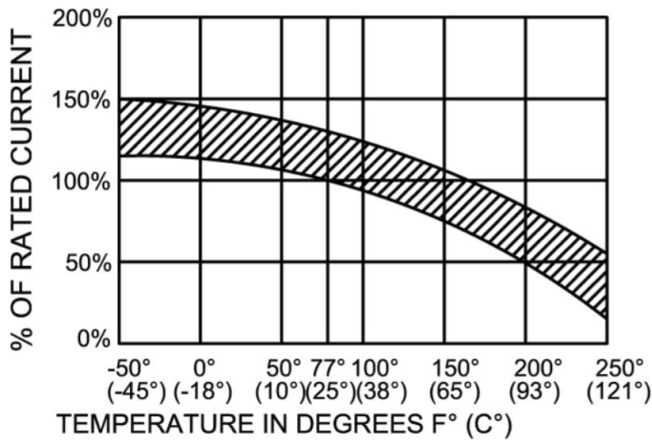
Electrical Specifications

Max Operational Voltage	72 Vdc
Electrical Endurance @ <14 Vdc	6,000 cycles / 4x Rating
Electrical Endurance @ <48 Vdc	100 cycles / 2x Rating
Electrical Endurance @ <72 Vdc	100 cycles / 2x Rating
Short Circuit Interrupt Rating (16 Vdc)	5,000 Amps
Short Circuit Interrupt Rating (32 Vdc)	3,000 Amps
Short Circuit Interrupt Rating (72 Vdc)	2,000 Amps
Wire Size to Meet Rating (50 A)	#8 AWG (10 mm ²)
Wire Size to Meet Rating (60 A)	#6 AWG (16 mm ²)
Wire Size to Meet Rating (80 A)	#4 AWG (25 mm ²)
Wire Size to Meet Rating (100 - 120 A)	#2 AWG (35 mm ²)
Wire Size to Meet Rating (150 A)	1/0 AWG (50 mm ²)

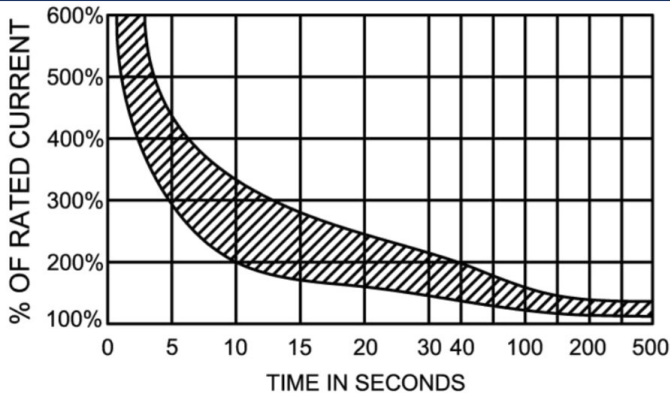
Specifications

Max Operating Temperature	82 C (180 F)
Min Operating Temperature	-32 C (-25 F)
Max Storage Temperature	149 C (300 F)
Min Storage Temperature	-34 C (-30 F)
Hardware Material	18-8 Stainless, Self-Locking
Terminal Stud Size	1/4"-28
Max Terminal Stud Torque	100 in-lbs (11.3 N-m)
Cable Terminal Stud Hole Size	1/4" (M6)
Ignition Protection	ISO-8846 / UL 1500
Flammability Rating	UL 94 V0
Operating Humidity	0 to 90% RH
Ingress Protection	IP67 / IP6K9K
Mechanical Vibration	12g
Mechanical Shock	35g / 10 cycles

Current De-Rating vs Ambient Temperature



Trip Current vs Time Delay



Part Numbers

	Resell Pack	Bulk Pack
Circuit Breaker, Surface Mount, 25A	4703-025	4703-025B
Circuit Breaker, Surface Mount, 30A	4703-030	4703-030B
Circuit Breaker, Surface Mount, 40A	4703-040	4703-040B
Circuit Breaker, Surface Mount, 50A	4703-050	4703-050B
Circuit Breaker, Surface Mount, 60A	4703-060	4703-060B
Circuit Breaker, Surface Mount, 80A	4703-080	4703-080B
Circuit Breaker, Surface Mount, 100A	4703-100	4703-100B
Circuit Breaker, Surface Mount, 120A	4703-120	4703-120B
Circuit Breaker, Surface Mount, 150A	4703-150	4703-150B
Circuit Breaker, Panel Mount, 50A	4706-050	4706-050B
Circuit Breaker, Panel Mount, 60A	4706-060	4706-060B
Circuit Breaker, Panel Mount, 80A	4706-080	4706-080B
Circuit Breaker, Panel Mount, 100A	4706-100	4706-100B
Circuit Breaker, Panel Mount, 120A	4706-120	4706-120B
Circuit Breaker, Panel Mount, 150A	4706-150	4706-150B

* DISCONNECT BATTERY FROM POWER DISTRIBUTION SYSTEM BEFORE INSTALLING PRODUCT TO PREVENT ELECTRICAL SHOCK OR PRODUCT DAMAGE



www.egismobile.com
360.768.1211
Bellingham, WA U.S.A

